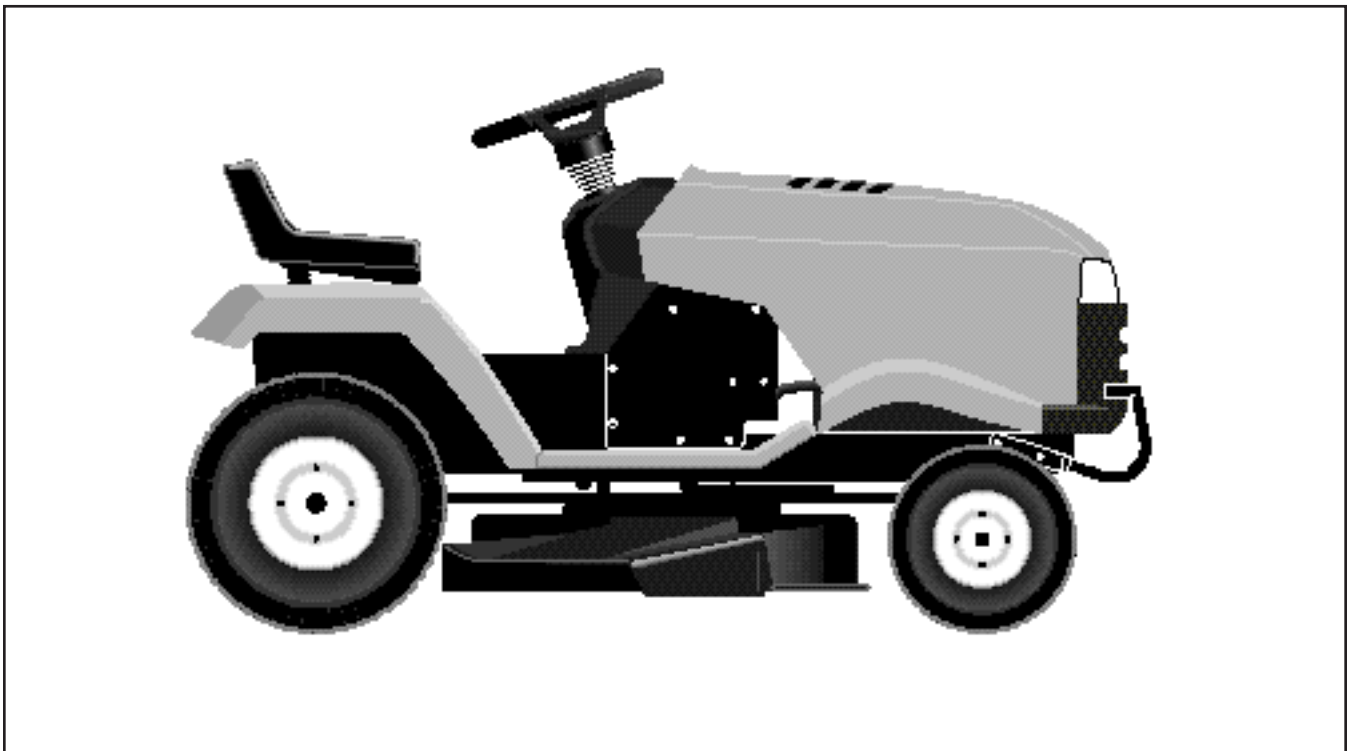


GTVH 205



954140102A

REPAIR PARTS

TRACTOR - MODEL NO. GTVH205 (954140102A), PRODUCT NO. 954 14 01-02

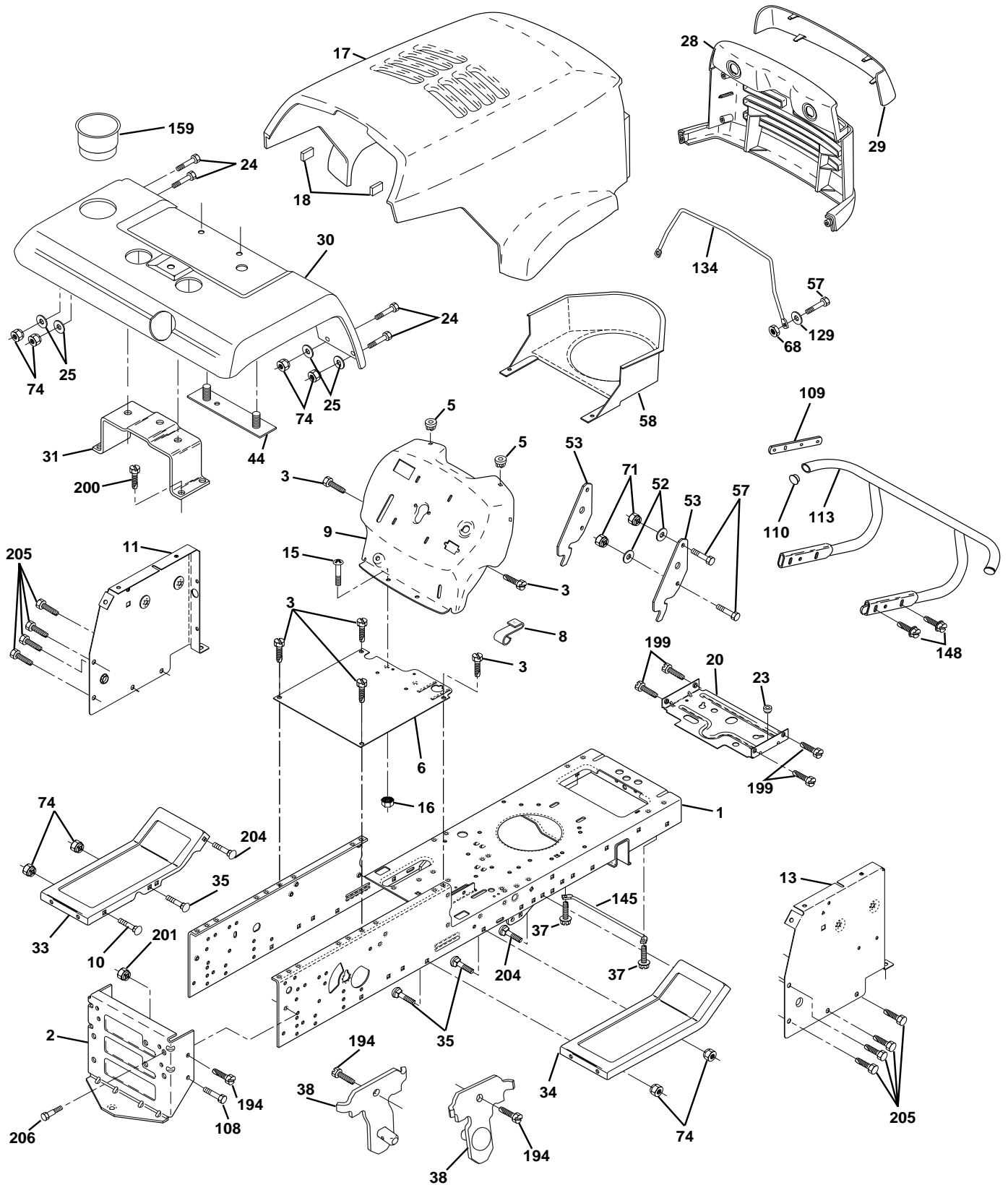
ELECTRICAL

KEY NO.	PART NO.	DESCRIPTION
1	532144927	Battery, 12 Volt, 35 Amp
2	532171017	Bolt, Hex Head 1/4-20 UNC x 3/4
8	532124886	Tray, Battery
10	532171327	Bolt, Battery Front 1/4-20 x 7.5 Zinc
11	532150109	Holddown Battery Dash Mount
12	532145769	Nut, Push Nylon 1/4" Battery Front
16	532153664	Switch Interlock Push-In
21	532166181	Harness, Light
22	532004152	Bulb, Light
24	532124780	Cable, Battery, 6 Gauge, 11", Red
25	532146148	Cable, Battery
26	532166180	Fuse, 15 Amp
27	532171018	Nut, Hex, Keps 1/4-20 UNC
28	532145491	Cable, Ground, 6 Gauge, 12", Black
29	532160784	Switch, Plunger, Normal Op Olive
30	532163968	Switch, Ignition
33	532140401	Key, Ignition
40	532170221	Harness, Ignition
41	532171197	Bolt, Hex, Fin. 1/4-20 x 1/2
42	532131563	Cover, Terminal, Red
43	532145673	Solenoid
45	532122822	Ammeter, Rectangular, 15 AMP
46	532169635	Hourmeter Snap-In
50	532169417	Switch, PTO
51	532140405	Ring, Retainer, PTO
55	532171539	Screw, Thdrol 5/16-18 x 1/2 TYT
70	532170251	Harness, Engine
80	532146685	Harness Clutch EVX
81	532109748	Relay Assembly
89	532169639	Bracket Snap-In Hourmeter

NOTE: All component dimensions given in U.S. inches
1 inch = 25.4 mm

REPAIR PARTS

TRACTOR - MODEL NO. GTVH205 (954140102A), PRODUCT NO. 954 14 01-02
CHASIS AND ENCLOSURES



REPAIR PARTS

TRACTOR - MODEL NO. GTVH205 (954140102A), PRODUCT NO. 954 14 01-02 CHASIS AND ENCLOSURES

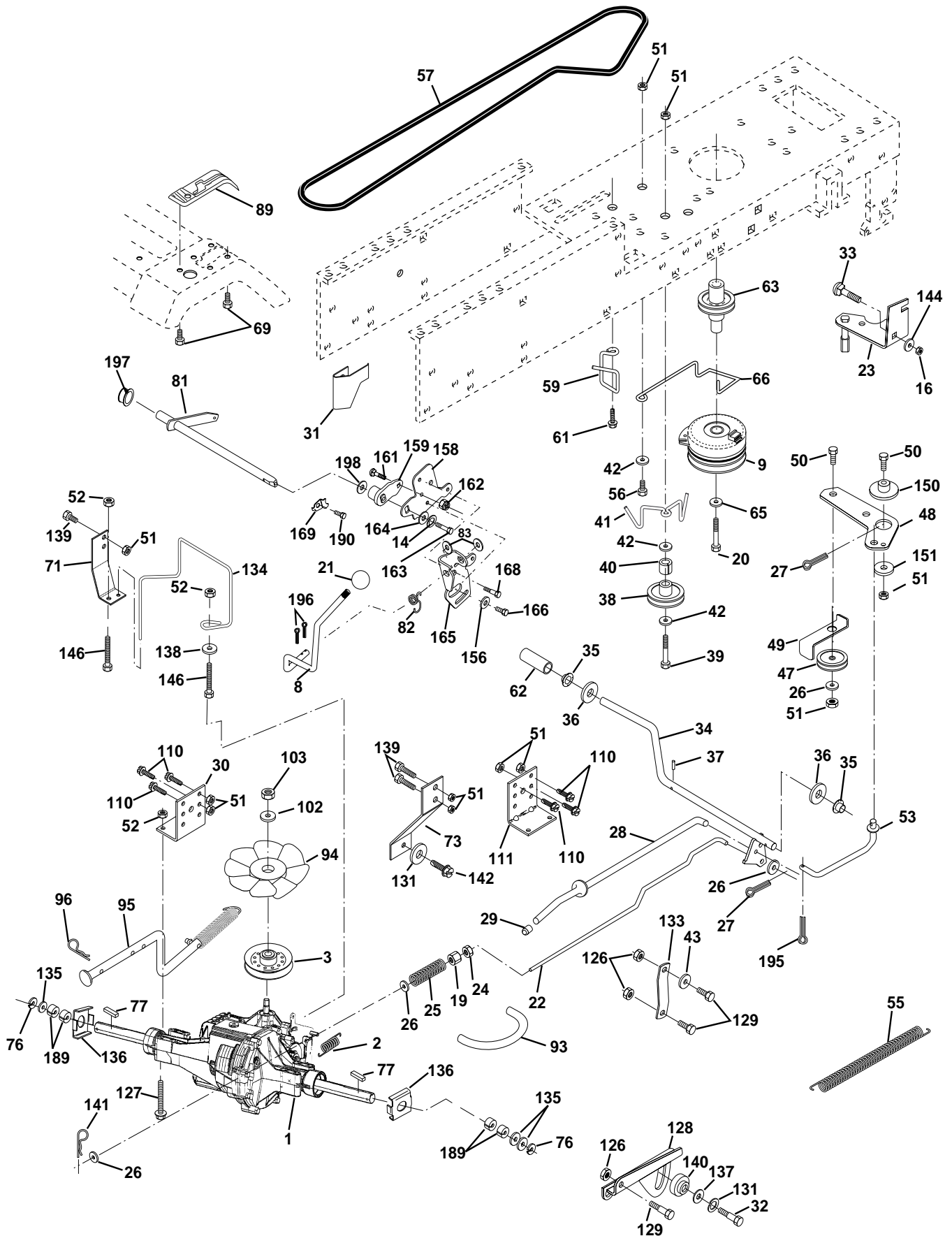
KEY NO.	PART NO.	DESCRIPTION
1	532169831	Chassis Stamping
2	532169061	Drawbar
3	532171154	Screw 3/8-16x3/4
5	532155272	Bumper
6	532155923	Saddle
8	532126471	Clip Insulator
9	532171560	Dashboard
10	532171150	Bolt
11	532156682	Panel Asm.
13	532169123	Panel Asm.
15	532171194	Screw 5/16-18 Unc x 3/4
16	532171195	Nut Keps 5/16-18 Unc
17	532165378	Hood
18	532126938	Bumper
20	532156437	Plate Mtg Battery/Fuel Tank
23	532124028	Bushing
24	532171031	Bolt 3/8-16 Unc x 1 Gr. 5
25	532171151	Washer 13/32 x 13/16 x 12 Ga.
26	873800600	Nut Lock w/Insert 3/8-16 UNC
28	532165379	Grille
29	532165380	Grille Lens
30	532169426	Fender
31	532137113	Bracket
33	532147203	Foot Rest, L.H.
34	532147202	Foot Rest, R.H.
35	532171272	Bolt 3/8-16 x 3/4
37	532171169	Screw 5/16-18 x 1/2 Tyt
38	532169834	Bracket Asm Pivot Mower Rear
44	532140675	Strap Asm. Fender
52	532171224	Washer 9/32 x 7/8 x 16 Ga.
53	532150067	Bracket LT/PL Husq.
57	532171226	Hex Bolt 1/4-20 x .75
58	532151171	Duct Air
68	532171018	Nut Keps 1/4-20 UNC
71	532171227	Nut Crownlock 1/4-20 unc Blkd
74	532171141	Nut, Crownlock 3/8-16 UNC
108	532171554	Hex Bolt 3/8-16 UNC x 3/4
109	532170310	Bracket Extension Bumper
110	532143679	Plug Plastic
113	532170311	Bumper Asm.
129	532171225	Washer 9/32 x 5/8 x 16 Ga.
134	532160219	Rod Support Hood
145	532156524	Rod Pivot Chassis Hood
148	532171466	Screw 3/8-16 x 1-1/4
159	532166625	Cupholder YTGT Grey
194	532171167	Screw 3/8-16 x 7.5 Smgml Tap/R Z
201	532171168	Nut Crownlock 3/8-16 unc SD
204	532171154	Screw 3/8-16 x 3/4 Smgml Tap/R
205	532171181	Screw Thdrol 3/8-16 x 1/2 Ty-TT
206	532171555	Bolt Shoulder 5/16-18 TT SD

NOTE: All component dimensions given in U. S. inches.
1 inch = 25.4 mm

REPAIR PARTS

TRACTOR - MODEL NO. GTVH205 (954140102A), PRODUCT NO. 954 14 01-02

DRIVE



REPAIR PARTS

TRACTOR - MODEL NO. GTVH205 (954140102A), PRODUCT NO. 954 14 01-02

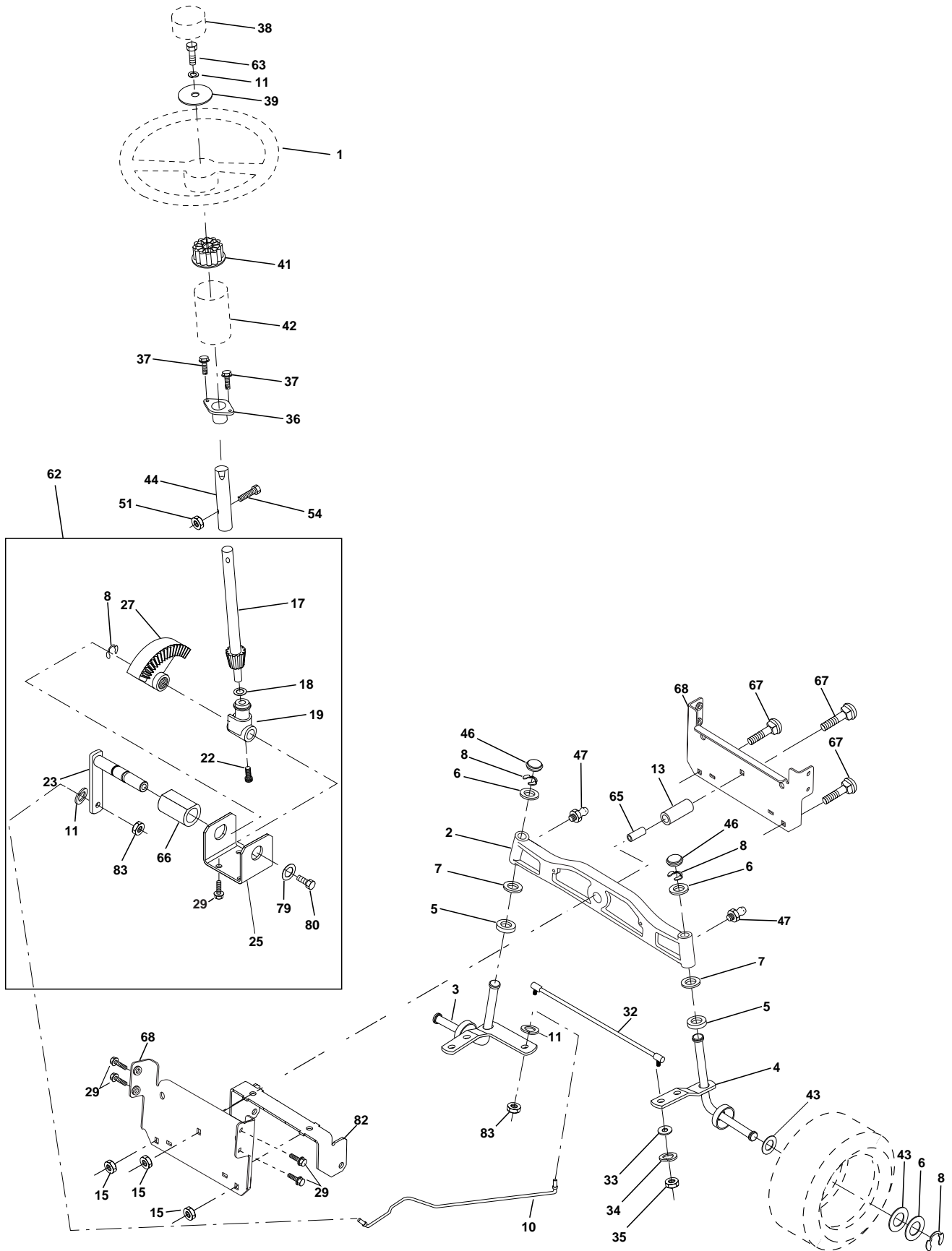
DRIVE

KEY NO.	PART NO.	DESCRIPTION	KEY NO.	PART NO.	DESCRIPTION
1	-----	Transaxle Hydro Gear 325-3000 (Order parts from transaxle manufacturer)	76	812000053	E-Ring
2	532142431	Spring, Brake Return	77	532124762	Key, Square
3	532143995	Pulley, Transaxle	81	532165598	Shaft Asm Cross Tapered
8	532166020	Rod Shift Fender Adjust	82	532123782	Spring, Torsion
9	532160889	Clutch Elect EVX 80 lb.	83	532171230	Washer 17/32 x 3/4 x 16 Ga.
14	532171185	Washer Lock Hvy Helical	89	532166624	Console, Shift
16	532171410	Nut, Lock Hex w/Ins. 5/16-18 UNC	93	532142564	Fuel Line
19	532171408	Nut, Lock Hex w/Washer 3/8-16 Unc	94	532140462	Fan 7"
20	532171219	Bolt Hex 7/16-20 x 4-1/4 Ga. 5	95	532158508	Control Assembly Bypass Hydro
21	532140845	Knob Delux 1/2-13 Unc	96	532171160	Retainer, Spring 1"
22	532171545	Rod, Brake	102	532141322	Washer .501 x 1.50D
23	532171258	Bracket Asm Anti Rot Evx 2000	103	532171128	Nut Hex Jam Toplock 1/2-20 UNF
24	532171163	Nut, Hex Jam 3/8-16	110	532171554	Bolt, Hex 3/8-16 UNC x 3/4
25	532171164	Spring, Rod, Brake	111	532123776	Bracket
26	532171140	Washer 13/32 x 13/16 x 16 Ga.	126	532171538	Locknut
27	532171165	Pin Cotter 1/8 x 3/4 Cad SD	127	532171400	Bolt, Hex 5/16-18 UNC x 3
28	532171166	Rod, Brake, Park	128	532158284	Bracket
29	532071673	Cap, Brake Parking Black	129	532171537	Bolt 5/16-18 UNC
30	532123780	Bracket, Transaxle	131	532171540	Washer Lock 5/16 NDM PLTD
31	532123791	Keeper, Belt, Transaxle,	133	532165926	Link Transaxle Hydro 3000
32	532171142	Hex Bolt 5/16-18 UNC x 3/4	134	532158278	Belt, Guide
33	532171221	Bolt Rdhd Sqnk 5/16-18 Unc x 3/4	135	532123800	Washer 1-1/32 x 1-5/8 x 16 Ga.
34	532155071	Shaft, Foot Pedal	136	532163168	Washer
35	532120183	Bearing Nylon	137	532171541	Washer 11/32 x 3/4 x 12 Ga.
36	532171368	Washer	138	532171551	Washer 11/32 x 1.25 x 16 Ga.
37	532124963	Pin, Roll	139	532171559	Bolt, Hex 3/8-16 UNC x 3/4
38	532131494	Idler, Flat	140	532004475	Bushing
39	532171247	Bolt	141	532159197	Pin
40	532124965	Spacer, Split	142	532171546	Bolt 5/16 x 24 x 1
41	532165838	Keeper, Idler	144	532171222	Washer 11/32 x 5/8 x 16 Ga SD
42	532171151	Washer 13/32 x 13/16 x 12 Ga.	146	532171157	Bolt Hex Flghd 5/16-18 x 2-1/4
43	532171539	Washer 11/32 x 5/8 x 12 Ga.	150	532165850	Bushing Bellcrank Grd Drive
47	532127783	Pulley, Idler	151	532171179	Washer 13/32 x 2 x 10 Ga.
48	532154407	Bellcrank Clutch Grnd Drv Stl	156	532171233	Washer Srrted 5/16ID x 1.125
49	532123205	Retainer, Belt	158	532165589	Bracket Shift Mount
50	532171180	Bolt Carr Sh 3/8-16 X 1-1/2 Gr 5	159	532165494	Hub Tapered Flange Shift Lt
51	532171168	Nut, Crownlock 3/8-16	161	532171183	Bolt Rdhd Sqnk 1/4-20 x 3/4 Gr 5
52	532171026	Nut Crown Lock 5/16-18 Blk D	162	532171184	Nut Crownlock 1/4-20 Unc
53	532105710	Link, Clutch	163	532171186	Bolt Hex Fin 1/4-20 Unc x 1 Gr 5
55	532105709	Spring, Return, Clutch	164	532171172	Washer 5/8 x .281 x 10 Ga
56	532171187	Bolt, Hex 3/8-16 UNC x 1-1/4	165	532165623	Bracket Pivot Lever
57	532161741	V-Belt Drive	166	532166880	Screw 5/16-18 x 5/8
59	532140312	Keeper Belt Centerspan	168	532171232	Bolt Shoulder 5/16-18 x .561
61	532171167	Screw 3/8-16 x 3/4	169	532165581	Plate Fastening Lt
62	532124872	Cover, Foot Pedal	189	532171566	Washer Spacer Axle
63	532161400	Engine Pulley	190	532171181	Screw Thdrol 3/8-16 x 1/2
65	532171220	Washer	195	532171547	Pin Cotter 1/8 x 3/4 Cad Blk D
66	532161488	Keeper, Belt Engine	196	532171565	Pin, Cotter 1/8 x 1
69	532142432	Screw	197	532169613	Nyliner Snap-in 5/8" ID
71	532158283	Torque Fastener L.H.	198	532169593	Washer Nyl 7/8ID x 105" Hyd CRD
73	532158282	Torque Fastener R.H.			

NOTE: All component dimensions given in U.S. inches
1 inch = 25.4 mm

REPAIR PARTS

TRACTOR - MODEL NO. GTVH205 (954140102A), PRODUCT NO. 954 14 01-02
STEERING ASSEMBLY



REPAIR PARTS

TRACTOR - MODEL NO. GTVH205 (954140102A), PRODUCT NO. 954 14 01-02

STEERING ASSEMBLY

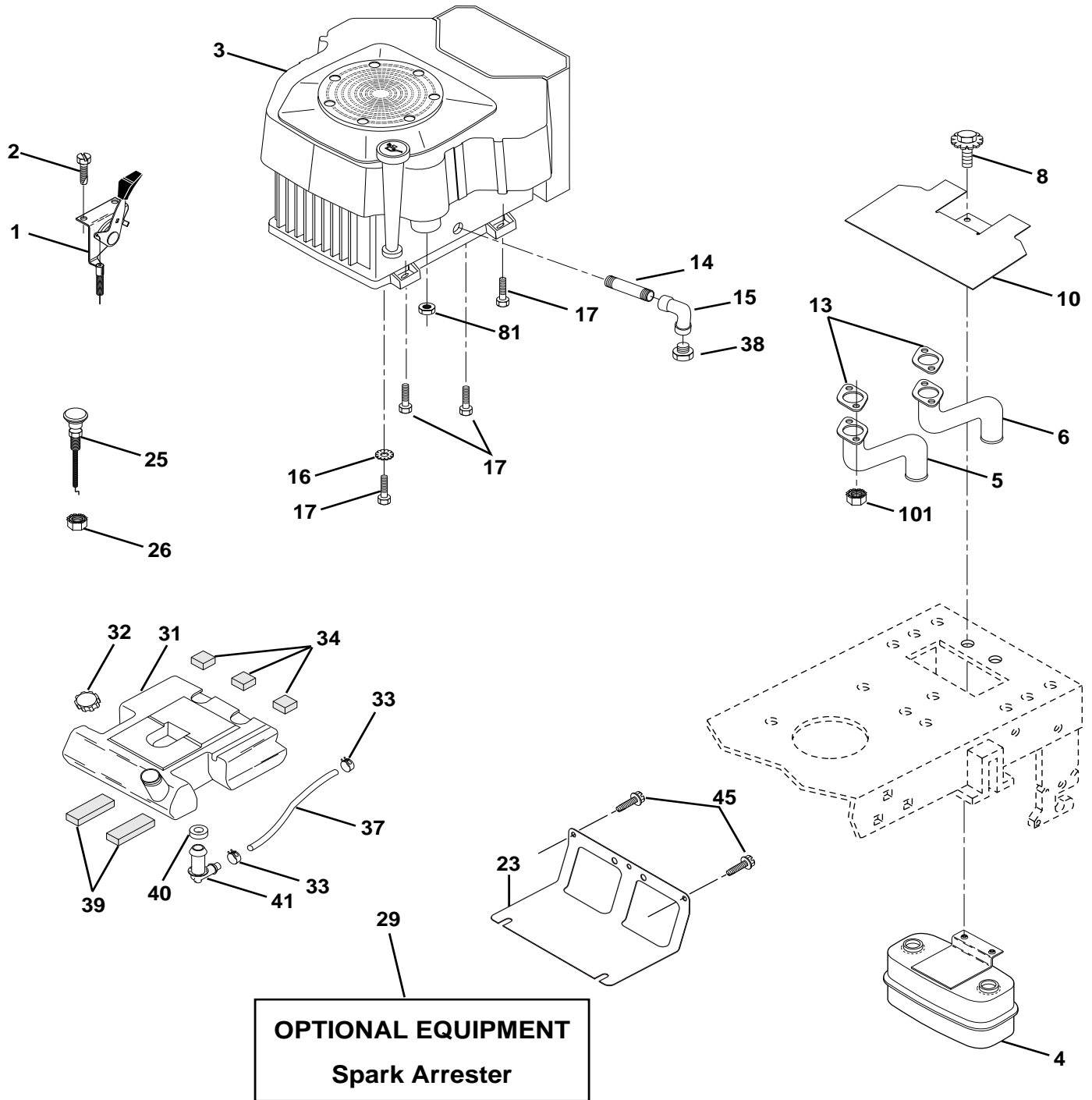
KEY NO.	PART NO.	DESCRIPTION
1	532166627	Steering Wheel
2	532165854	Axle, Front
3	532169840	Spindle, L.H.
4	532169839	Spindle, R.H.
5	532124931	Bearing, Thrust
6	532171039	Washer 25/32 x 1-5/8 x 16 Gauge
7	532171240	Washer 27/32 x 1-1/4 x 16 Ga.
8	812000029	Klip Ring
10	532169832	Link, Drag
11	532171029	Washer, Lock 3/8
12	873940800	Nut, Hex, Jam, Top Lock 1/2-20 UNF
13	532136518	Spacer Brg Axle front
15	532171178	Nut Hex flange Lock Yel D
17	532156546	Shaft, Steering
18	532057079	Washer
19	532160395	Shaft, Support
22	532171188	Screw Hex Wsh hd Torx
23	532165851	Shaft, Pitman
25	532154406	Bracket, Steering
27	532136874	Gear, Sector
29	532171167	Screw, 3/8-16 x 3/4
32	532139929	Rod, Tie
33	532171392	Washer 11/32 x 3/4 x 16 Ga.
34	532171213	Washer Lock Hvy Helical 5/10 SD
35	532171248	Nut Crown Lock 5/16-18 Slvr DC
36	532155099	Bushing Steering
37	532171193	Screw TT #10-32 X 5 x 3/8 Flange
38	532166626	Insert, Steering Wheel
39	532171388	Washer
41	532159945	Adapter, Steering Wheel
42	532169634	Boot Steering Dash P/L Mtl
43	532171038	Washer, 25/32 x 1-1/4 x 16 Gauge
44	532171024	Extension Steering Non-Adjust
46	532121232	Spindle, Cap
47	532124836	Grease Zerk
51	532171026	Nut Crown Lock 5/16-18 Blk D
54	532171025	Bolt Fin Hex 5/16-18 Unc x 1-1/4
62	532167902	Kit Steering Asm Service
63	532171031	Bolt Fin Hex 3/8-16 Unc x 1 Gr. 5
65	532160367	Spacer Brace Axle
66	532154404	Bearing Arm Pittman
67	532171176	Bolt Rdhd Sqnk 3/8-16 x 2-1/4
68	532169827	Brace Brace Axle
79	532171189	Washer 13/32 x 1-1/4 x 12 Ga
80	532171190	Bolt Hex Nylon 3/8-16 x 3/4
82	532169835	Bracket Susp Chassis Front 15"
83	532171426	Nut, Lock Center 3/8-24 Unf Blk

NOTE: All component dimensions given in U.S. inches.
1 inch = 25.4 mm

REPAIR PARTS

TRACTOR - MODEL NO. GTVH205 (954140102A), PRODUCT NO. 954 14 01-02

ENGINE



REPAIR PARTS

TRACTOR - MODEL NO. GTVH205 (954140102A), PRODUCT NO. 954 14 01-02

ENGINE

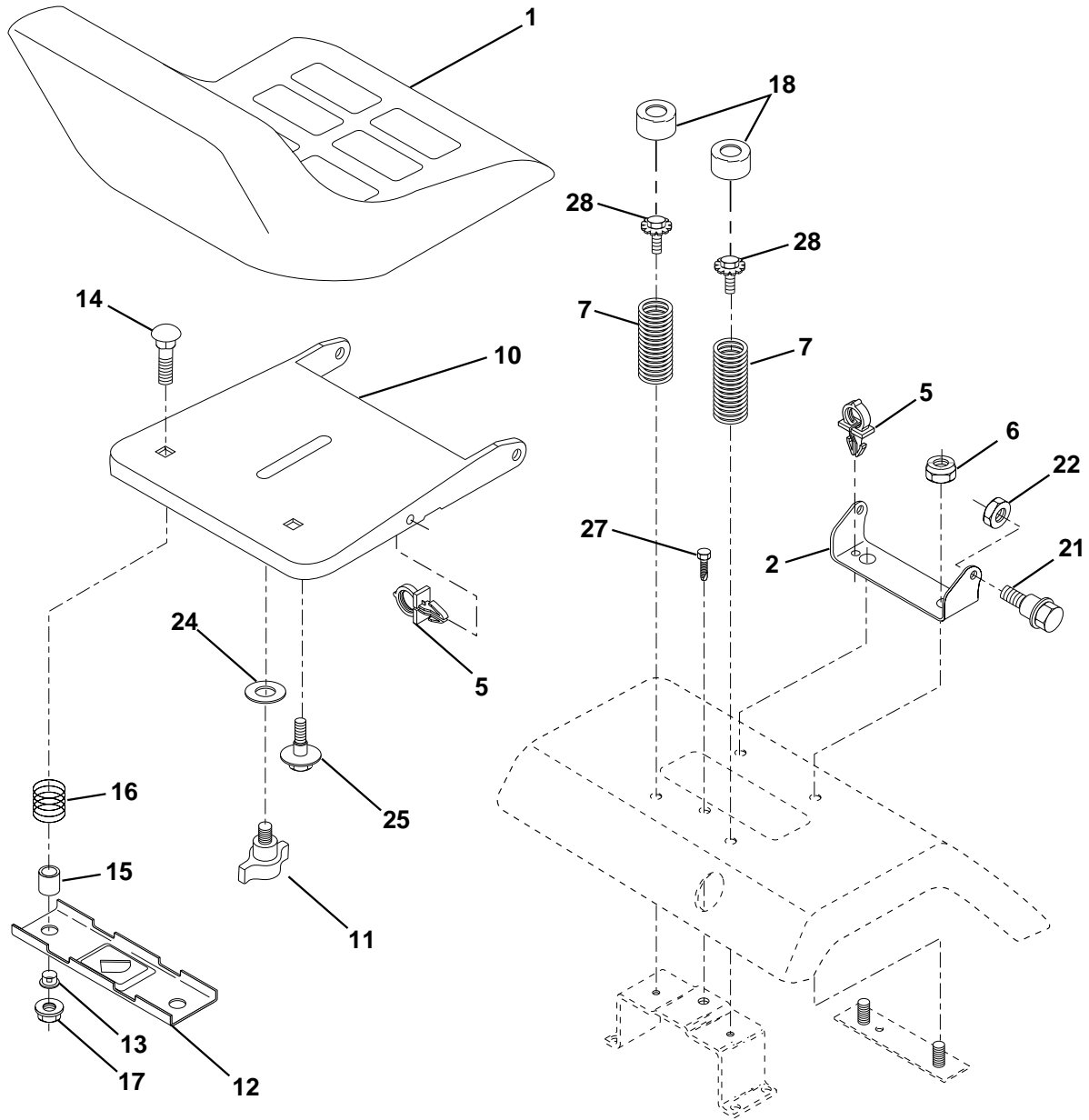
KEY NO.	PART NO.	DESCRIPTION
1	532155274	Control, Throttle
2	532171192	Screw, Hex Head, Thread Cutting 1/4-20 x 5/8
3	-----	Engine, Kohler CV205 (Order parts from engine manufacturer)
4	532149723	Muffler
5	532146699	Pipe Exhaust, LH
6	532146700	Pipe Exhaust, RH
8	532171376	Bolt 5/16-18 UNC x 3/4 w/Sems
10	532146629	Shield Heat Muffler
13	532163307	Muffler Gasket (Order from Engine Manufacturer)
14	813280336	Nipple, Pipe 3/8 NPT x 4-1/2
15	813200300	Elbow, Standard 90° 3/8-18 NPT
16	532171217	Washer, Lock, External Tooth 3/8
17	532171564	Screw Thdrol 3/8-16 x 1-1/2
23	532169837	Shield, Browning / Debris Guard
25	532145996	Choke Control
26	873920600	Nut, Keps 3/8-24 UNF
29	532137180	Kit, Spark Arrestor
31	532151346	Tank Fuel 3 50 Rear
32	532140527	Cap Asm Fuel W/sym Vented
33	532123487	Clamp, Hose
34	532106082	Pad, Spacer
37	532142158	Line, Fuel
38	-----	Plug, Oil Drain (Order From Engine Manufacturer)
39	532109227	Pad, Idler
40	532124952	Bushing
41	532139277	Stem, Fuel Tank
45	532171154	Screw 3/8-16 x 3/4 Smgml Tap R
81	532128861	Nut, Flange 1/4-20 Starter Nut
101	532163305	Nut Flange M8-1.25 Non-Lk Zink

NOTE: All component dimensions given in U.S. inches.
1 inch = 25.4 mm

REPAIR PARTS

TRACTOR - MODEL NO. GTVH205 (954140102A), PRODUCT NO. 954 14 01-02

SEAT ASSEMBLY



KEY NO.	PART NO.	DESCRIPTION
1	532140840	Seat
2	532140551	Pivot Bracket, Seat
5	532145006	Clip, Push-in Hinged
6	532171141	Nut Crown Lock 3/8-16 Unc Blk D
7	532124181	Spring, Seat
10	532155925	Pan, Seat
11	532166369	Knob, Seat
12	532121246	Bracket, Switch Mounting
13	532121248	Bushing, Snap, Black, Nylon
14	532171040	Bolt, Carriage 1/4-20 x 1-1/2
15	532121249	Spacer, Split .28 x .96
16	532123740	Spring

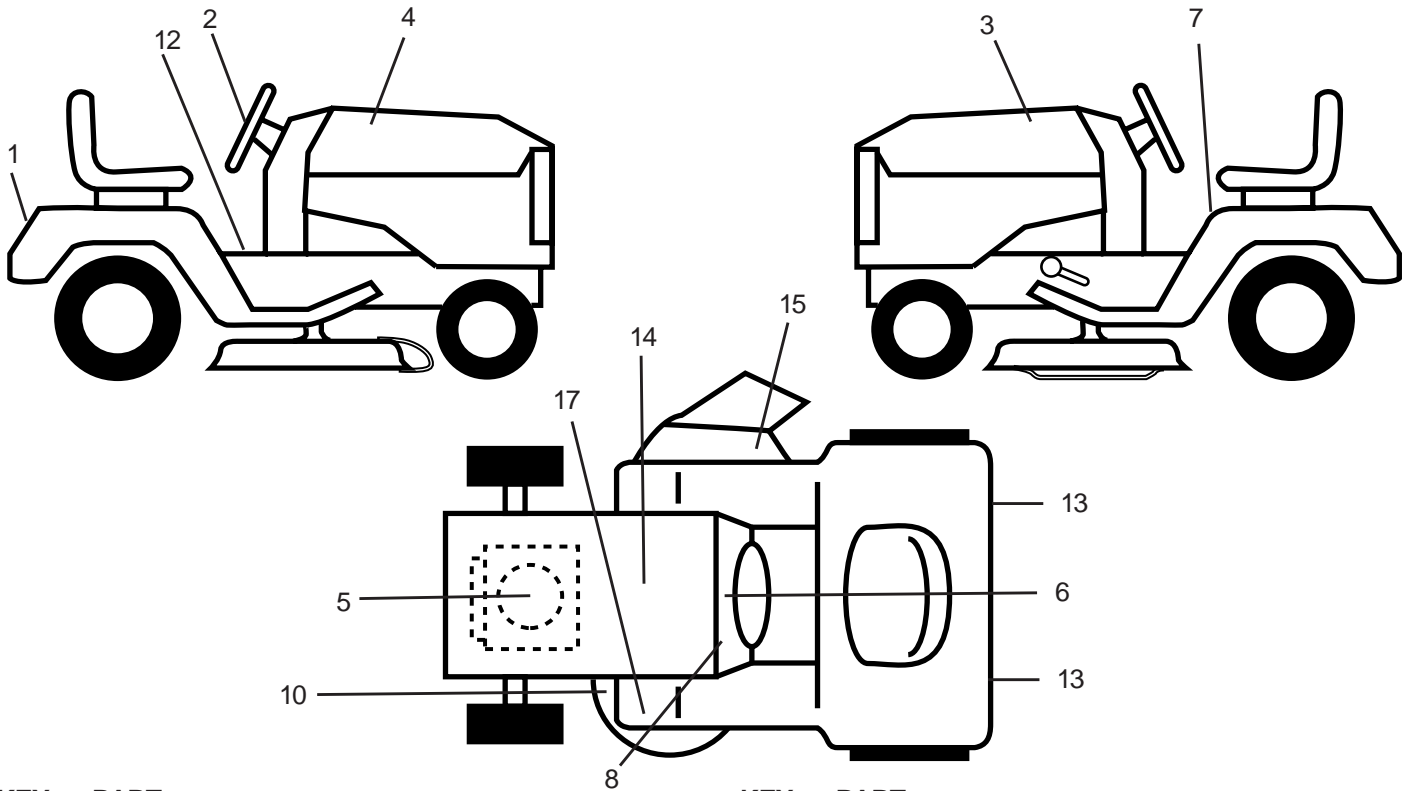
KEY NO.	PART NO.	DESCRIPTION
17	532171041	Locknut, Flange 1/4 Grade 5
18	532124238	Cap Spring Seat Blk 1.75 x 1.0
21	532171130	Bolt, Shoulder 5/16-18 Unc -2A
22	532171026	Nut, Crownlock 5/16-18
24	532171261	Washer 17/32 x 1-3/16 x 12 Gauge
25	532171260	Bolt, Shoulder 5/16-18 x .62
27	532171136	Screw Thdrol 3/8-16 x 3/4
28	532171376	Bolt 5/16-18 UNC x 3/4 w/Sems

NOTE: All component dimensions given in U.S. inches
1 inch = 25.4 mm

REPAIR PARTS

TRACTOR - MODEL NO. GTVH205 (954140102A), PRODUCT NO. 954 14 01-02

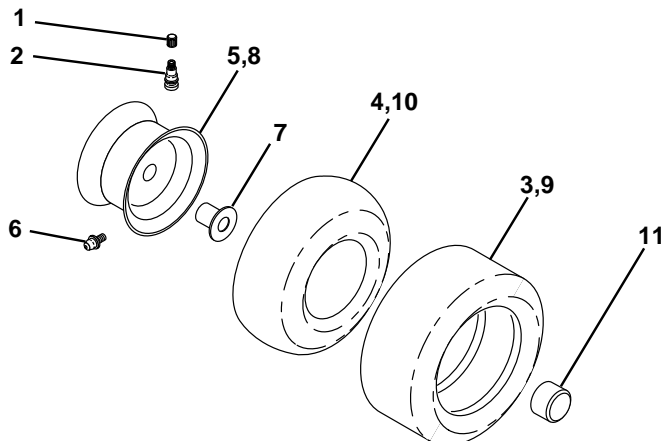
DECALS



KEY NO.	PART NO.	DESCRIPTION
1	532150617	Decal, Fender
2	532170564	Decal Wheel Steering
3	532170941	Decal, Hood LH
4	532170940	Decal, Hood RH
5	532166105	Decal, HP Engine
6	532171458	Decal Logo Dash
7	532157140	Decal, Danger Fender English/ French
10	532160397	Decal, V-Belt Sch
12	532156993	Decal, Saddle Oper Instr.

KEY NO.	PART NO.	DESCRIPTION
13	532106202	Reflector Taillight
14	532145005	Decal, Btry Dngr/Psn
15	532137259	Decal, Warning Multi-Language
17	532101892	Decal, Clutch/Brake
--	532142341	Decal, Drawbar Cntrl Mvt
--	532171237	Pad, Footrest
--	532138311	Decal, Handle Lft Height Adjust
--	532171325	Manual, Owner's (English)
--	532171326	Manual, Owner's (French)

WHEELS & TIRES



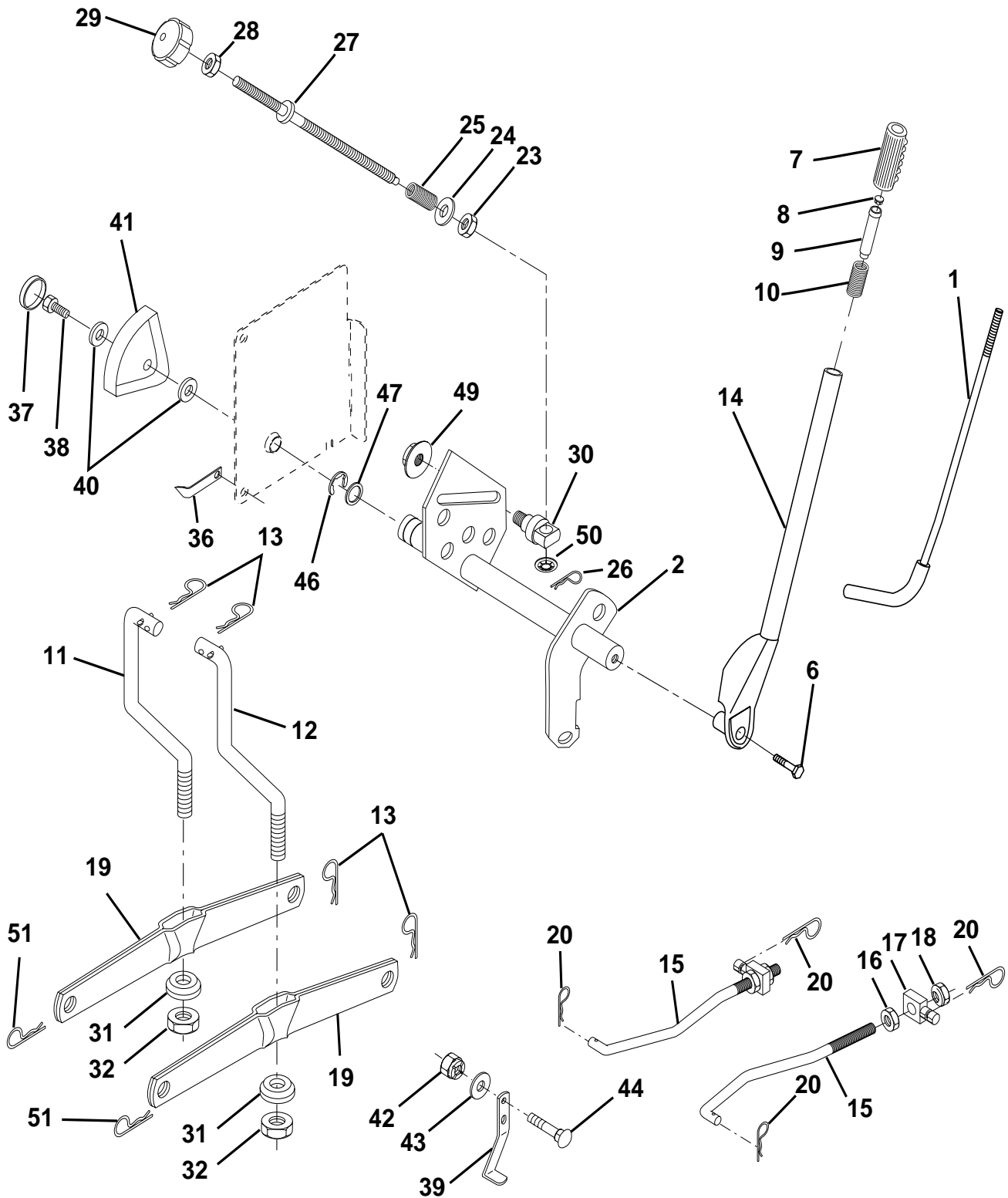
KEY NO.	PART NO.	DESCRIPTION
1	532059192	Cap Valve Tire
2	532065139	Stem Valve
3	532106222	Tire F
4	532059904	Tube Front (Service Item Only)
5	532138336	Rim Asm 6" front
6	532124957	Fitting Grease (Front Wheel Only)
7	532124959	Bearing Flange (Front Wheel Only)
8	532164127	Rim Asm 12" rear
9	532124106	Tire Rear
10	532007154	Tube Rear (Service Item Only)
11	532104757	Cap Axle Blk 1 50 X 1 00
--	532144334	Sealant, Tire (1 Doz. Tube)

NOTE: All component dimensions given in U.S. inches
1 inch = 25.4 mm

REPAIR PARTS

TRACTOR - MODEL NO. GTVH205 (954140102A), PRODUCT NO. 954 14 01-02

MOWER LIFT



REPAIR PARTS

TRACTOR - MODEL NO. GTVH205 (954140102A), PRODUCT NO. 954 14 01-02

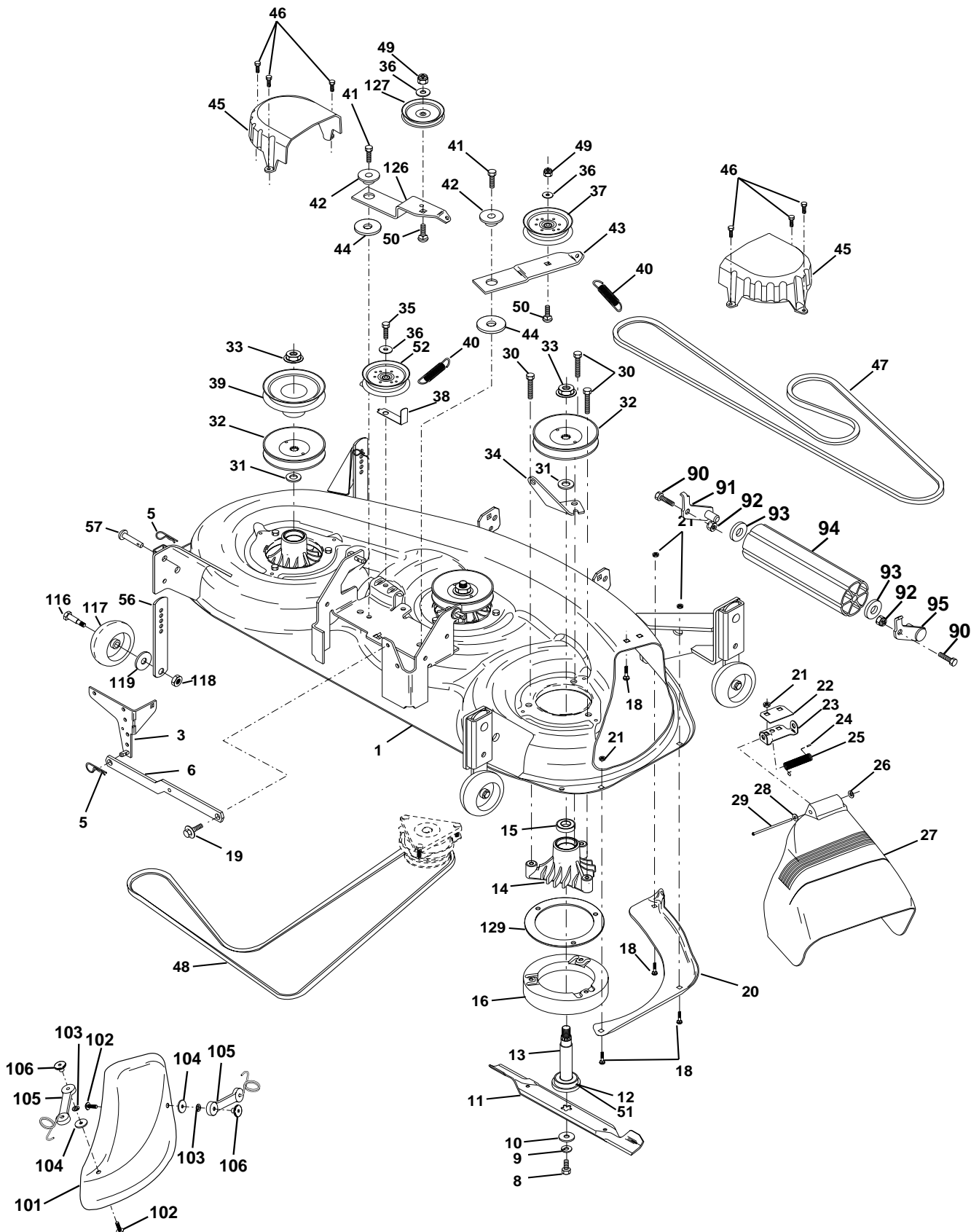
MOWER LIFT

KEY NO.	PART NO.	DESCRIPTION
1	532121006	Rod Assembly, Lever
2	532159188	Shaft Assembly, Lift
6	532171362	Bolt, Hex Head, Fin. 3/8-16 x 1-1/2
7	532125631	Grip Handle
8	532124526	Button Plunger Black
9	532122364	Plunger Lever Lift
10	532124874	Spring
11	532145537	Link, Lift, LH
12	532145536	Link, Lift, RH
13	532124670	Retainer Spring
14	532159189	Lever Assembly, Lift, RH
15	532167253	Link, Front
16	532171262	Nut, Hex, Jam 1/2-13 UNC
17	532130171	Trunnion
18	532171263	Nut Crownlock 1/2-13 Unc
19	532139868	Arm, Suspension, Rear
20	532171212	Retainer Spring
23	532110807	Nut, Special
24	532171207	Washer 13/32 x 5/8 x 16 Gauge
25	532124874	Spring
26	532171208	Retainer Clip
27	532171206	Adjustment Rod, Lift
28	532171163	Nut, Hex, Jam 3/8-16 UNC
29	532138057	Knob, Infinite Height Adjustment
30	532171203	Trunnion, Inf. Height
31	532140302	Bearing
32	873540600	Nut, Crownlock 3/8-24
36	532155097	Pointer Height Indicator
37	532123935	Plug Hole Blk 1.485/1.515 Dia.
38	532171210	Screw 5/16-18 x 1 Smgml Tap/R
39	532142992	Stop Over Center
40	532171209	Washer 11/32 x 1-1/2 10 Ga.
41	532123934	Scale Ind. Height Blk.
42	532171168	Nut, Crownlock 3/8-16 UNC
43	532171558	Washer 13/32 x 1 x 12 Ga.
44	532171557	Bolt, Carriage 3/8-16 x 1.00
46	812000022	E-Ring
47	532171182	Washer
49	532171178	Nut Hex Flange Lock
50	532110452	Nut Push Phos & Oil
51	532171211	Retainer Spring

NOTE: All component dimensions given in U.S. inches
1 inch = 25.4 mm

REPAIR PARTS

TRACTOR - MODEL NO. GTVH205 (954140102A), PRODUCT NO. 954 14 01-02
MOWER DECK



REPAIR PARTS

TRACTOR - MODEL NO. GTVH205 (954140102A), PRODUCT NO. 954 14 01-02

MOWER DECK

KEY NO.	PART NO.	DESCRIPTION	KEY NO.	PART NO.	DESCRIPTION
1	532164212	Deck Asm., Mower 46"	42	532165723	Spacer, Retainer, Mower
3	532138457	Bracket Asm., Sway Bar	43	532144949	Arm, Idler Secondary
5	532171211	Retainer Spring	44	532133943	Washer, Hardened
6	532130832	Arm, Suspension, Rear (Sway Bar)	45	532145059	Cover, Mandrel Deck
8	532850857	Bolt, Patched 3/8-24 x 1-1/4 Gr. 8	46	532171253	Screw, Thdroll. 1/4-20 x 5/8
9	532171241	Washer, Lock Hvy., Unplated 3/8	47	532144959	V-Belt, Mower, Secondary
10	532140296	Washer, Hard Blade, Mower Vented	48	532148763	V-Belt, Mower, Primary
11	532170698	Blade, High Performance	49	532171168	Nut, Crownlock 3/8-16 UNC
	532152443	Blade, Mulching	50	532171180	Bolt, Carriage 3/8-16 x 1-1/2 Gr. 5
12	532129895	Bearing, Ball, Mandrel #6204	51	532153390	Washer Felt
13	532137553	Shaft Asm. w/Lower Bearing (Includes Key No. 12)	52	532156493	Pulley Idler 46 Pri Drive 97
14	532137152	Housing, Mandrel	56	532155986	Bar Adjusting Gauge Wheel
15	532110485	Bearing, Ball, Mandrel	57	532171386	Pin Head Rivet
16	532140329	Stripper, Mower Round	72	532171569	Washer 13/32 x 1 x 16 Ga.
18	532171380	Bolt, Carriage 5/16-18 x 5/8	90	532171375	Bolt, Fin Hex 3/8-16 UNC x 1
19	532171252	Bolt, Hex Head, Shoulder 5/16-18	91	532132274	Bracket Asm. Noseroller, Lh
20	532145055	Baffle, Vortex Mower 46"	92	532171141	Nut Crownlock 3/8-16 Unc Blk D
21	532171248	Nut, Crownlock 5/16-18 UNC	93	532171389	Washer 17/32 x 7/8 x 16 Ga.
22	532134753	Stiffener, Bracket	94	532132264	Roller Nose 38 & 42
23	532131267	Bracket, Deflector	95	532132273	Bracket Asm. Noseroller, Rh
24	532105304	Cap, Sleeve	101	532145579	Cover Mulcher
25	532149287	Spring, Torsion, Deflector	102	871161010	Screw Truss Hd Phil 10-24 x 5/8
26	532110452	Nut, Push	103	810071000	Washer Lock #10
27	532171384	Deflector Clipping 46" Grey	104	532125004	Nut Weld
28	532171222	Washer 11/32 x 5/8 x 16 Ga.	105	819061216	Washer #10
29	532171385	Rod, Hinge	106	532160793	Latch Asm Mulch/Bagger
30	532171244	Screw, Thdroll Washer Head	116	532171387	Bolt, Shoulder
31	532171245	Washer, Spacer Mower Vented	117	532133957	Gauge Wheel
32	532153531	Pulley, Mandrel	118	532171255	Nut, Centerlock 3/8-16 UNC
33	532171246	Nut, Flg. Top Lock Cntr. 9/16	119	532171256	Washer 3/8 x 7/8 x 14 Ga.
34	532144945	Anchor, Spring Deck 46"	126	532144948	Arm, Idler, Primary Deck 46"
35	532171382	Screw thdroll 3/8-16 x 1-3/4 Tytt	127	532146763	Pulley, Idler, V-Groove Dim. 4.25
36	532171140	Washer 13/32 x 13/16 x 16 Ga.	129	532159183	Reinforcement Mandrell Ring
37	532131494	Pulley, Idler, Flat	--	532143651	Mandrel Asm 44"/46"/50" Service
38	532156086	Keeper, Belt, Idler	--	532177107	Deck Complete (Std. Deck-Order separately nose roller and gauge wheel components Key Nos. 90-95 and 116-118)
39	532144917	Pulley, Idler, Driven			
40	532137273	Spring, Secondary 44/46/50 Vent			
41	532171173	Screw, 3/8-16 x 1-1/4 Smgml Tap/R			

NOTE: All component dimensions given in U.S. inches
1 inch = 25.4 mm